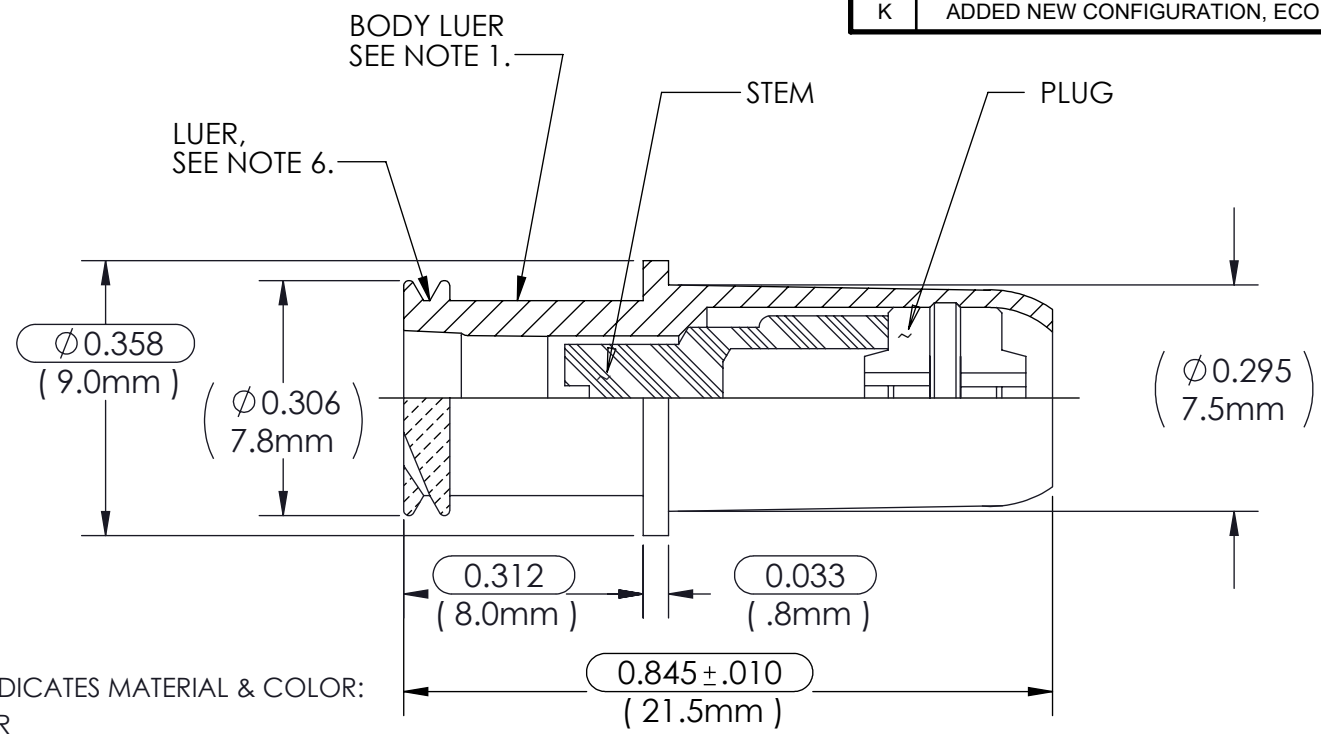


DRAWING NO.  
**C2470100XX**

REV  
**K**

# Customer Drawing

REVISION HISTORY			
REV	DESCRIPTION (ECO)	DATE	APPROVED
J	UPDATE NOTE 5. ECO 10762	10/13/20	SR
K	ADDED NEW CONFIGURATION, ECO 13199	02/19/26	JS



**NOTES:**

1. 1ST SUFFIX 'X' INDICATES MATERIAL & COLOR:

- 01 - PVC CLEAR
- 21 - POLYCARBONATE CLEAR
- 7P - ABS PURPLE
- 7R - ABS RED
- 7Y - ABS YELLOW
- 7B - ABS BLUE
- 7G - ABS GREEN
- 7O - ABS ORANGE

2. 2ND SUFFIX 'X' INDICATES INSPECTION REQUIREMENT.

- NONE - STANDARD INSPECTION
- BP - 100% BACKPRESSURE

3. CRITICAL DIMENSIONS ARE CIRCLED AND SUBJECT TO INSPECTION.

4. DIMENSIONS IN PARENTHESES, ARE REFERENCE ONLY.

5. ALL DIMENSIONS ARE IN INCHES, WITH NOMINAL DIMENSIONS IN MILLIMETERS SHOWN BELOW.

6. LUER COMPATIBLE WITH ISO 594-2, AND ISO 80369-7.

QUALITY CRITERIA:
O.D. FLASH: 0.015 MAX. (0.4mm)
GATE VESTIGE: 0.01 MAX. (0.3mm)
EMBEDDED PARTICLES, BUBBLES, SPOTS, STAINS: 0.3mm <sup>2</sup> MAX. NO MORE THAN 3 PER PART.

**MOLDED PARTS:**  
GATES, PARTING LINES, AND FLASH PER QUALITY CRITERIA

**PROPRIETARY AND CONFIDENTIAL**  
THE INFORMATION CONTAINED IN THIS DRAWING IS SOLE PROPERTY OF HALKEY-ROBERTS CORPORATION ST. PETERSBURG, FL. ANY REPRODUCTION IN PART OR AS A WHOLE WITHOUT THE WRITTEN PERMISSION OF HALKEY-ROBERTS CORPORATION IS PROHIBITED.

<b>DRAWN BY</b>	M.S.	<b>DATE</b>	
<b>APPROVED BY</b>	J.W.	<b>DATE</b>	9/20/94
<b>MATERIAL</b>	SEE NOTE		
<b>FINISH</b>			
<b>UNLESS OTHERWISE SPECIFIED:</b>	<b>THIRD ANGLE PROJECTION</b>		
DIMENSIONS ARE IN INCHES			
TOLERANCES:			
ANGULAR: ± 1°			
TWO PLACE DECIMAL ± .01			
THREE PLACE DECIMAL ± .005			

		<b>Halkey-Roberts</b>	
		TITLE <b>LUER LOCK VALVE</b>	
SIZE <b>A</b>	DRAWING NO. <b>C2470100XX</b>	REV <b>K</b>	
SCALE <b>4:1</b>	DO NOT SCALE DRAWING		SHEET <b>1 OF 2</b>

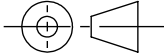
DRAWING NO.  
**C2470100XX**

REV  
**K**

# Customer Drawing

BILL OF MATERIAL:

BODY SUFFIX	STEM	PLUG
01 - 2212RHT1118C040 PVC CLEAR 21 - Rx 2530451118 POLYCARBONATE, CLEAR  7P - HMG47MD1H1000 ABS 9C30208102 PURPLE 7R - HMG47MD1H1000 ABS 9C10201202 RED 7Y - HMG47MD1H1000 ABS 9C20110502 YELLOW 7B - HMG47MD1H1000 ABS 9C30208202 BLUE 7G - HMG47MD1H1000 ABS 9C60149902 GREEN 7O - HMG47MD1H1000 ABS 9C10201302 ORANGE	CLS2600HR SILICONE, WITH K71008 BLACK COLORANT	H0500HN POLYPROPYLENE CLEAR

<b>DRAWN BY</b>	M.S.	<b>DATE</b>		
<b>APPROVED BY</b>	J.W.	DATE	9/20/94	
<b>MATERIAL</b>				
<b>FINISH</b>				
<b>UNLESS OTHERWISE SPECIFIED:</b>		<b>THIRD ANGLE PROJECTION</b>		
DIMENSIONS ARE IN INCHES				
TOLERANCES:				
ANGULAR: ± 1°				
TWO PLACE DECIMAL ± .01		<b>SIZE</b>	<b>DRAWING NO.</b>	<b>REV</b>
THREE PLACE DECIMAL ± .005		<b>A</b>	<b>C2470100XX</b>	<b>K</b>
		<b>SCALE</b>	<b>TITLE</b>	
		1:1	<b>LUER LOCK VALVE</b>	
		<b>DO NOT SCALE DRAWING</b>		<b>SHEET</b>
				2 OF 2

**MOLDED PARTS:**  
GATES, PARTING LINES, AND FLASH PER QUALITY CRITERIA

**PROPRIETARY AND CONFIDENTIAL**  
THE INFORMATION CONTAINED IN THIS DRAWING IS SOLE PROPERTY OF HALKEY-ROBERTS CORPORATION ST. PETERSBURG, FL. ANY REPRODUCTION IN PART OR AS A WHOLE WITHOUT THE WRITTEN PERMISSION OF HALKEY-ROBERTS CORPORATION IS PROHIBITED.